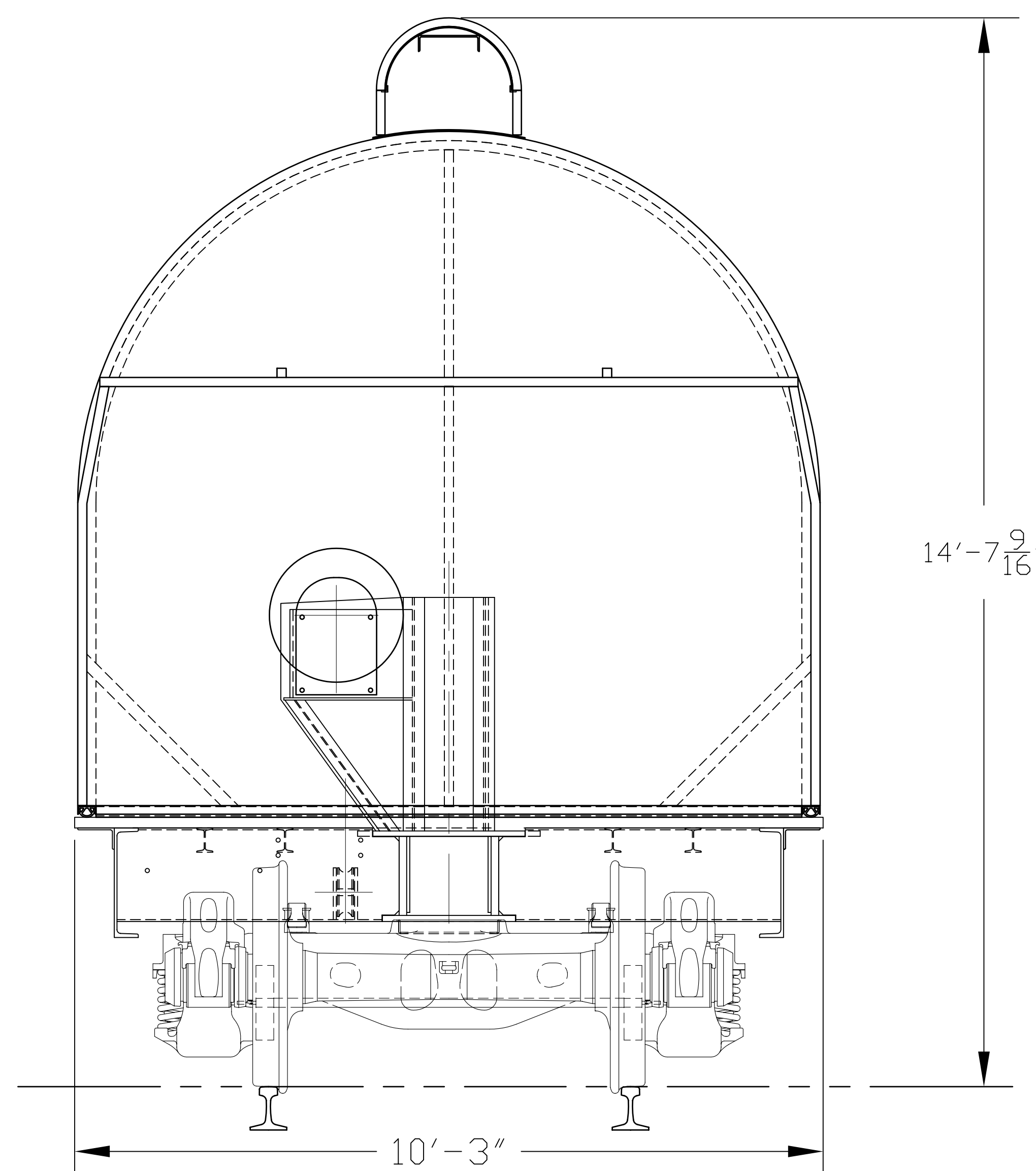
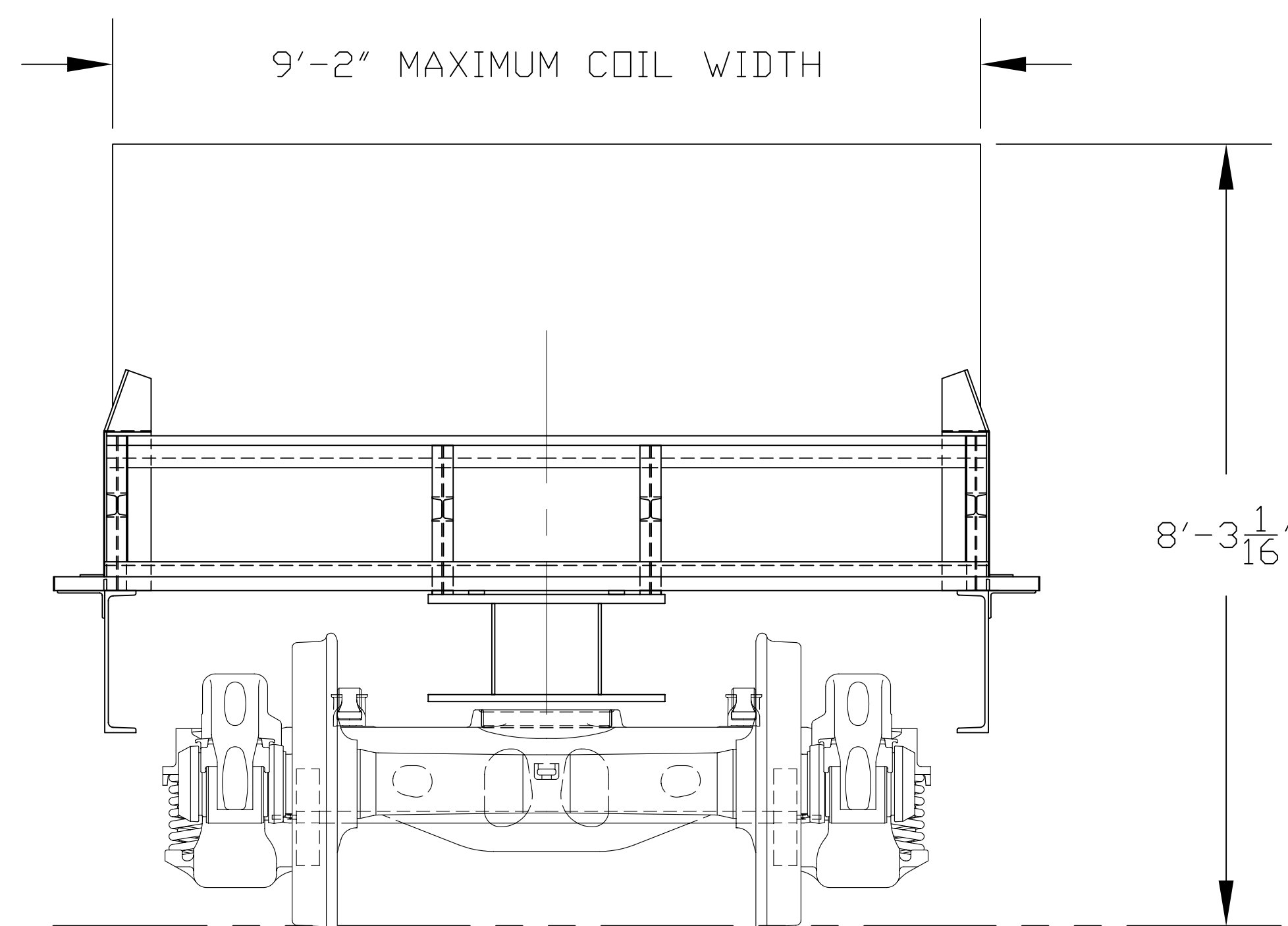


NOTE:

COMBINATION OF COIL WEIGHTS NOT TO EXCEED THE LOAD LIMIT.



DRAWING NO.

JK04-4

DRAWN:

S. LANDRUM

REVISION:

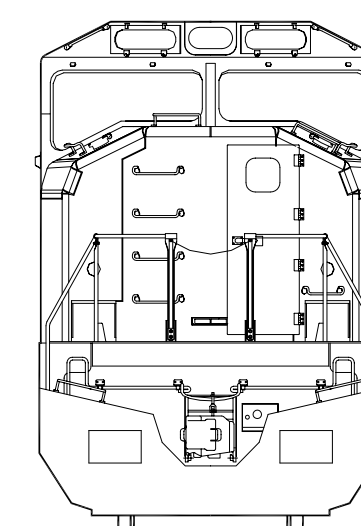
-

DATE:

6/22/03

CUSTOMER/JOB:

BNSF COIL CAR



**Transportation  
Technology Services**

1540 Edinburgh Lane  
Keller, TX 76248

